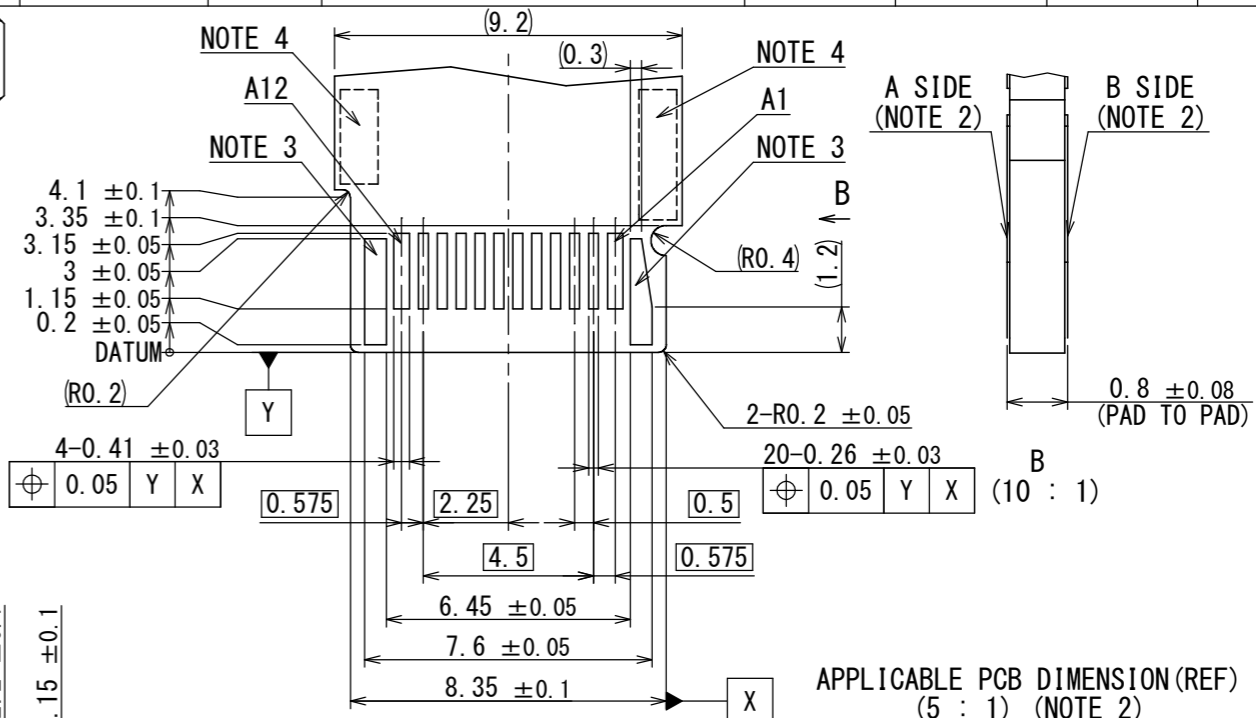
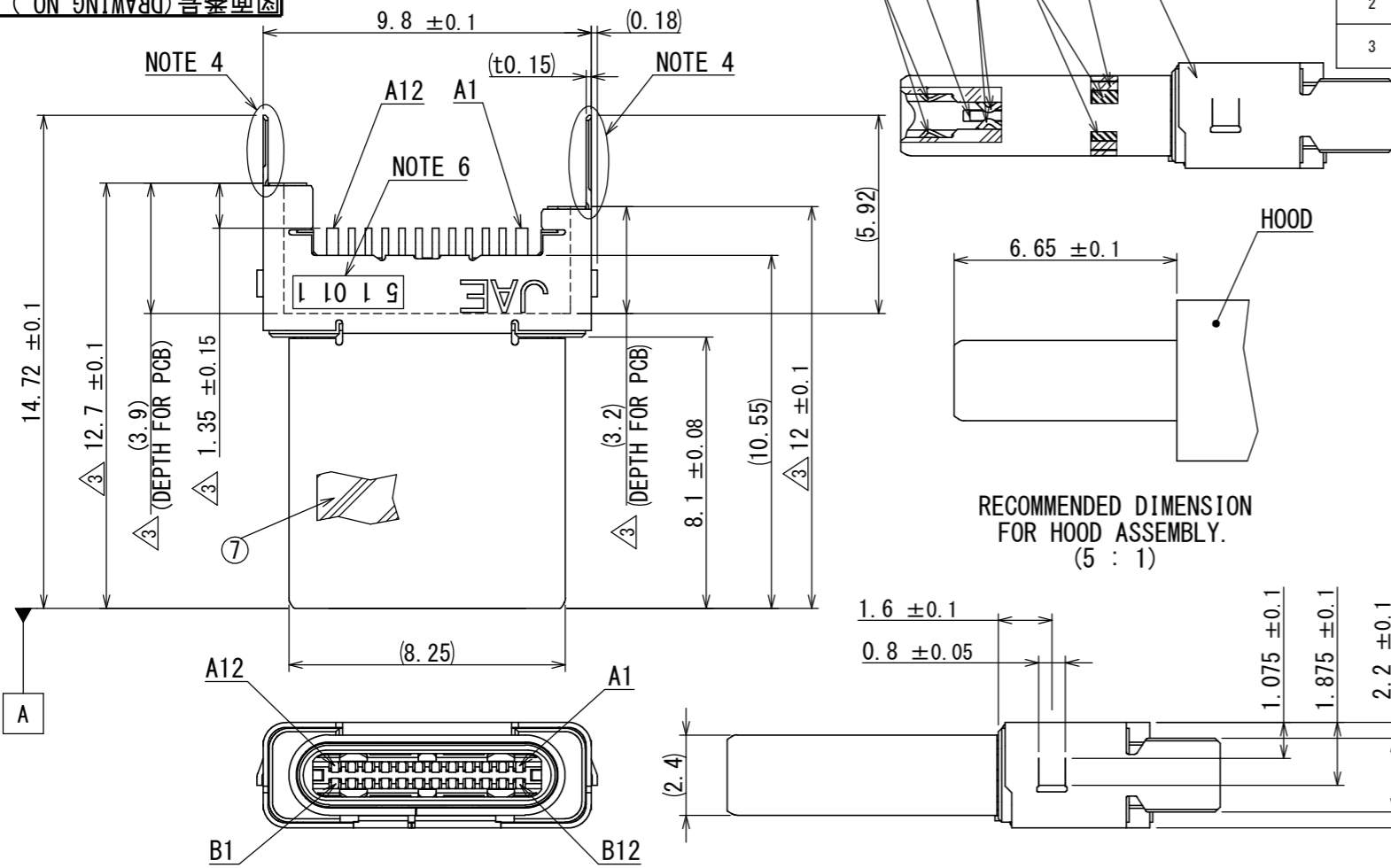


SJ115803
(ON DRAWING)台架図

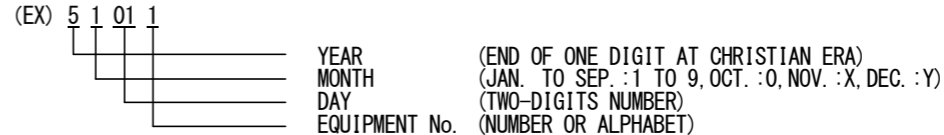
| 版数 VER. | 年月日 DATE | CN NO. | 変更内容 DESCRIPTION | 製図 DR. | 担当 CHK. | 査閲 APPD. | 承認 APPD. |
|------------|-------------|--------|---------------------|-----------|------------|-------------|-------------|
| 2 | 24/JUL/2015 | 014075 | ADDED LASER WELDING | | K. UEDA | — | Y. SAITOU |
| 3 | 25/SEP/2015 | 014607 | REVISED DIMENSION | | K. UEDA | — | Y. SAITOU |



RECOMMENDED DIMENSION
FOR HOOD ASSEMBLY.
(5 : 1)

APPLICABLE PCB DIMENSION (REF)
(5 : 1) (NOTE 2)

- NOTE 1. THERE COULD BE UNRECOGNIZABLE DIFFERENCES FROM ACTUAL PRODUCT DUE TO PROCESS CONVENIENCE BUT NOT IMPACT ON THE FUNCTION.
NOTE 2. PCB PADS CONFIGURATION BE SAME BETWEEN A SIDE AND B SIDE.
NOTE 3. THERE PADS BE WHERE A CONNECTOR HOLDS PCB. SHALL NOT BE ELECTRICAL USE NOT SOLDERED.
NOTE 4. RECOMMEND TO UTILIZE THE SIDE SHELL TABS BY SOLDERING TO PCB PADS FOR THE MECHANICAL STRENGTH.
NOTE 5. RECOMMEND TO KEEP THE CAP STAY IN PLACE UNTIL ALL THE PROCESSES DONE. THE CAP PREVENTS A CONNECTOR FROM DEFORMED AND CONTAMINATION DURING PROCESSES SUCH AS PADDLE CARD ASSEMBLY AND CABLE ASSEMBLY.
NOTE 6. LOT NUMBER IS MARKED AS INDICATED.



| 符号 NO. | 名称 DESCRIPTION | 個数 QTY. | 材料 MATERIAL | 仕上 FINISH | 備考 REMARKS |
|-----------|-------------------|------------|------------------------|--|---------------|
| 8 | CAP | 1 | HEAT RESISTING PLASTIC | (BLACK) | |
| 7 | TAPE | 2 | POLYIMIDE | - | |
| 6 | SHELL | 1 | STAINLESS STEEL | NICKEL PLATING | |
| 5 | GROUND SPRING | 2 | STAINLESS STEEL | NICKEL PLATING | |
| 4 | LOCK | 1 | STAINLESS STEEL | - | |
| 3 | INSULATOR B | 2 | HEAT RESISTING PLASTIC | (BLACK) | |
| 2 | INSULATOR A | 1 | HEAT RESISTING PLASTIC | (BLACK) | |
| 1 | CONTACT | 24 | COPPER ALLOY | CONTACT AREA: GOLD FLASH OVER PALLADIUM-NICKEL OVER NICKEL SOLDER TAILS: GOLD FLASH OVER NICKEL | |

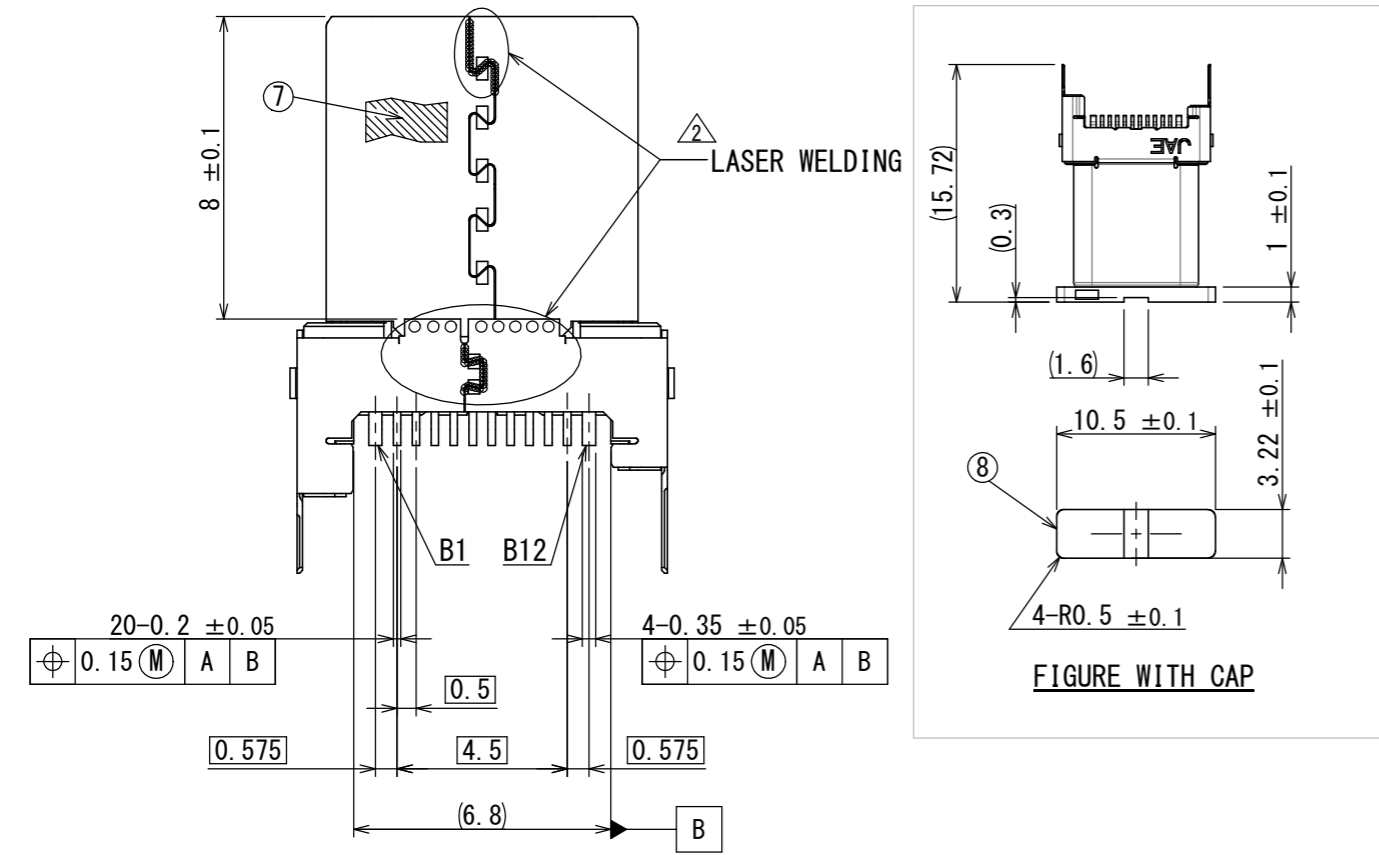


FIGURE WITH CAP

| | | | | | | |
|--|------------------------------------|-------------------|----------------------------|--|--------------------------------|----------------|
| 仕様書 (SPECIFICATION) JACS-30353 J AHL-30353 | 第1版 (ORIGINAL DATE) 16/MAR/2015 | 尺度 (SCALE) 5:1 | シリーズ (SERIES) DX07 | 日本航空電子工業株式会社 JAE JAPAN AVIATION ELECTRONICS INDUSTRY, LTD. | 図面番号 (DRAWING NO.) SJ115803 | 版数 (VER.) 3 |
| 一般公差 (GENERAL TOLERANCE) 寸法 (DIMENSION) × ± 0.8 × × ± 0.4 × × × ± 0.1 × × × × ± | 角度 (ANGLES) ×° ± ×° ×' ± | 製図 DR. — | 担当 CHK. Y. SAITOU | 名称 (TITLE) DX07P024MJ1 | 質量 (MASS) | |
| | 単位 (UNIT) : mm | 査閲 APPD. — | 承認 APPD. T. MASUMOTO | | | |

DCF-C-212H(12.08)

WISDOM承認 2015/09/29