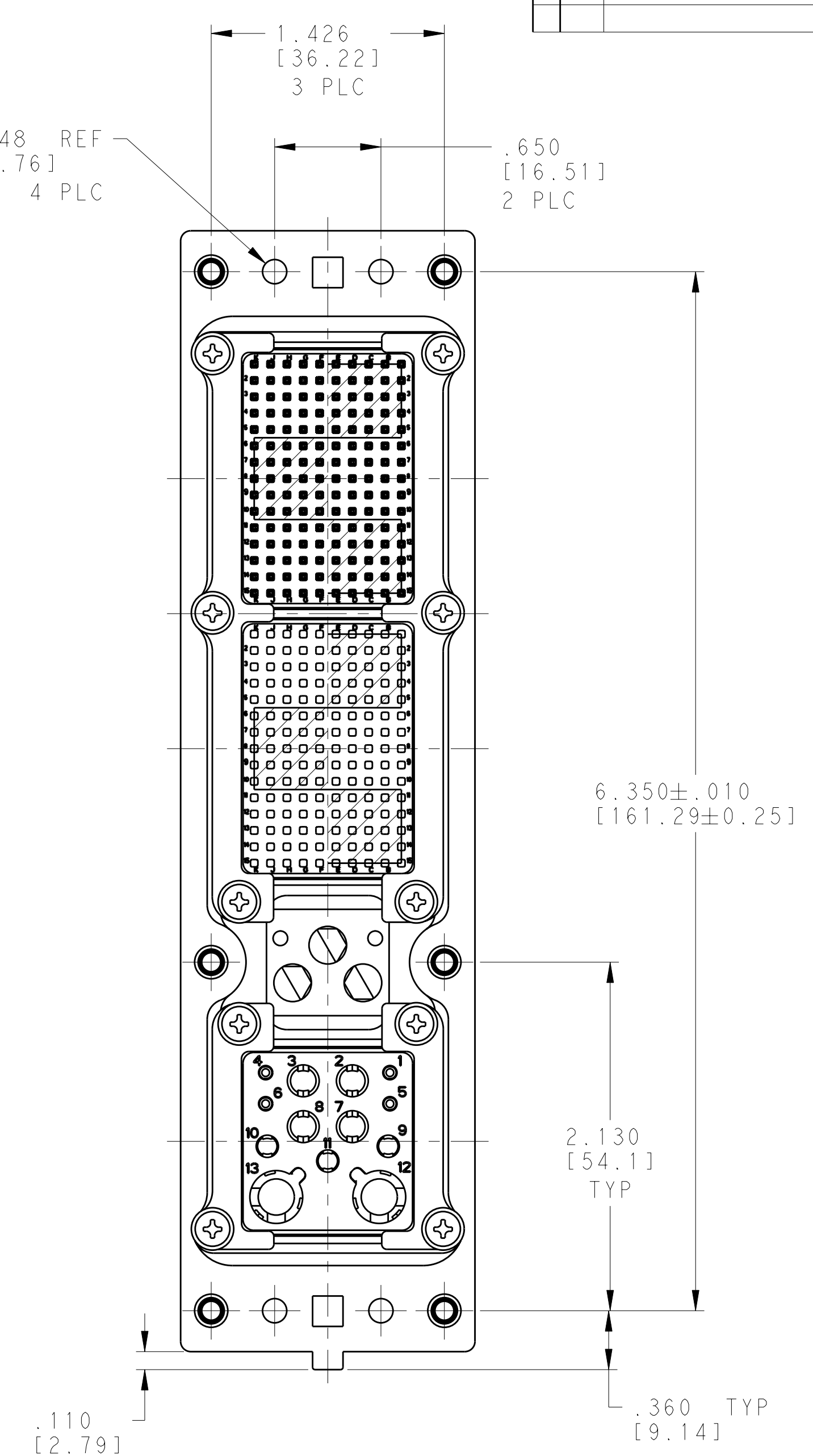
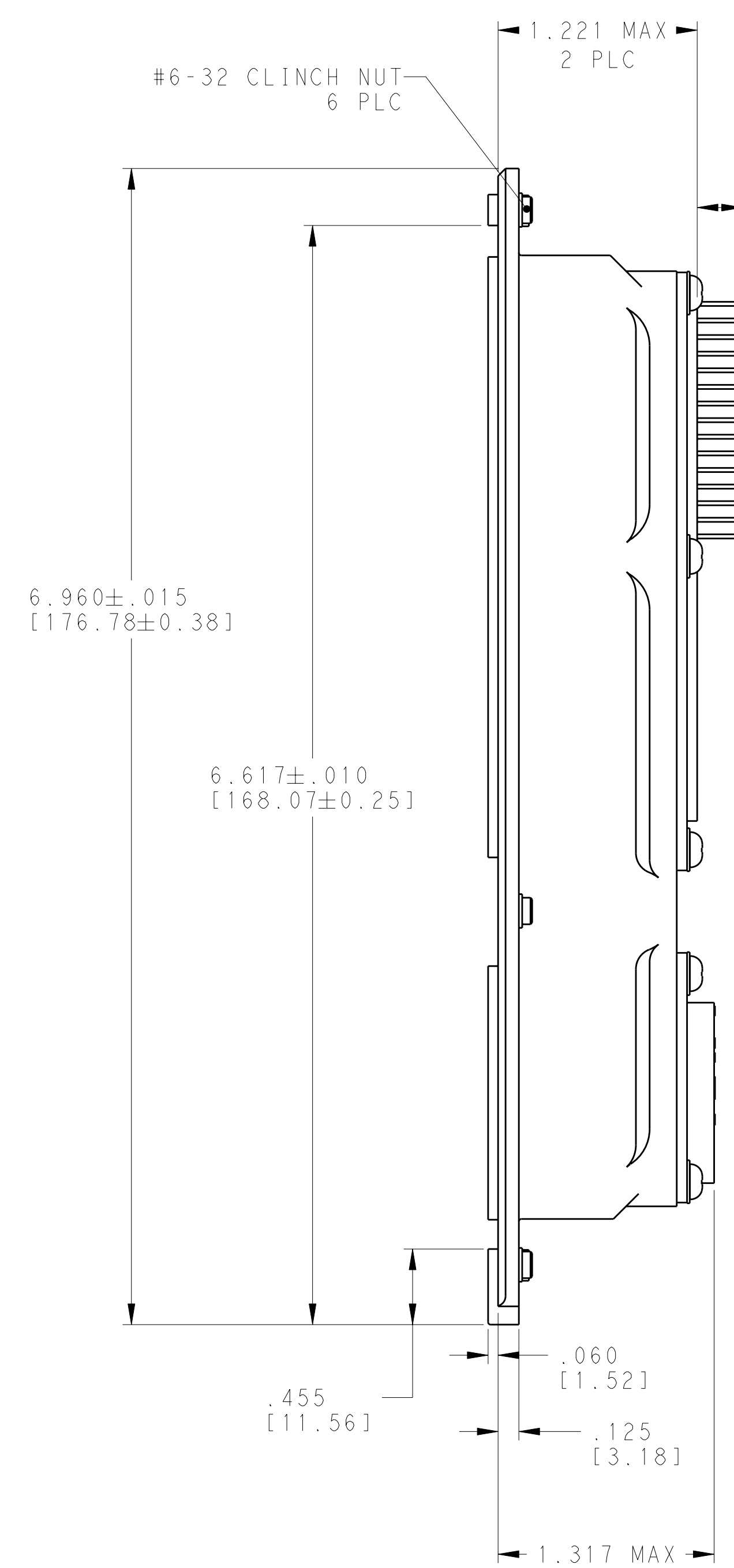
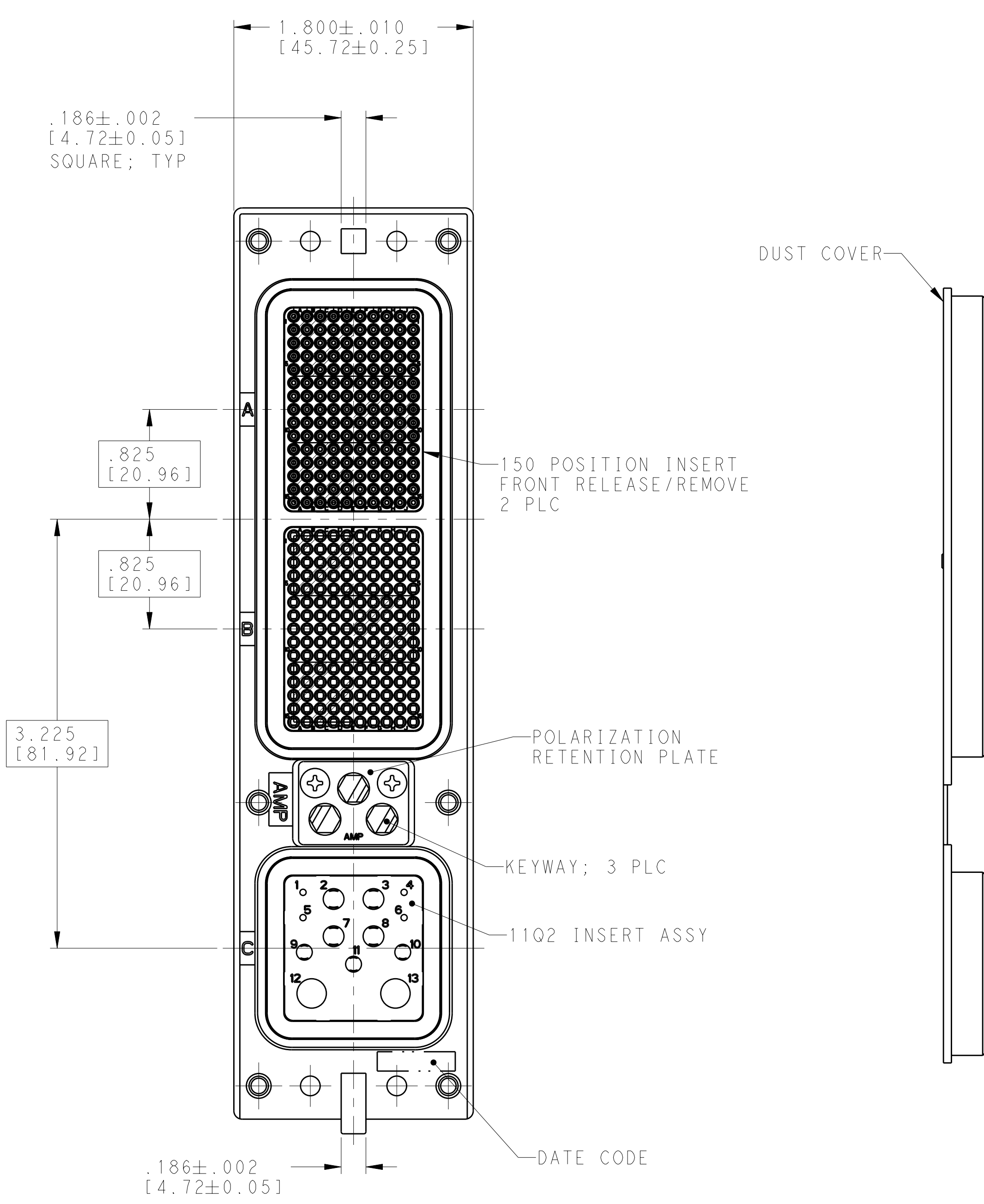


LOC	DIST	REV	DESCRIPTION	DATE	DWN	APVD
-	-	A	RELEASED PER ECO 10-017541	8-25-10	CT	KT



COMPONENT	MATERIAL	FINISH
CLINCH NUT 6 PLC	STEEL	ZINC PLATED WITH YELLOW TRIVALENT CHROMATE
POLARIZATION KEYWAY 3 PLC	ZINC ALLOY PER ASTM-B-86	---
KEYWAY RETAINER PLATE	ALUMINUM ALLOY	BLUE ANODIZED PER MIL-A-8625
150 POSN. & 11Q2 INSERT ASSY	THERMOPLASTIC OR THERMOSET	---
SHELL AND RETENTION PLATES	ALUMINUM ALLOY PER ASTM-B-85	CHROMATE CONVERSION PER MIL-C-5541 TYPE I, CLASS 1A
COMPONENT	MATERIAL	FINISH

"50"	MODULE A Tyco P/N 211431-4 (SIZE 22 POSTED SOCKET CONTACT; QTY=150)	2101947-1
	MODULE B NONE	
KEYING POSITION	MODULE C Tyco P/N 1663767-6 (SIZE 20 FILLER PLUG; QTY=2) Tyco P/N 1663767-7 (SIZE 16 FILLER PLUG; QTY=3) Tyco P/N 1663767-8 (SIZE 12 FILLER PLUG; QTY=4) NO FILLER PLUGS IN CAVITY: 1, 4, 12 & 13	PART NUMBER
	CONTACTS AND FILLER PLUGS INCLUDED AND INSTALLED	

1. CONNECTOR MEETS ARINC 600 SPECIFICATIONS
2. CONNECTOR IS SUPPLIED WITH CONTACTS AND FILLER PLUGS (PER TABLE).
3. CONNECTOR IS SUPPLIED WITH A DUST COVER INSTALLED FOR SHIPPING.
4. CONNECTOR IS SUPPLIED WITH KEYING ASSEMBLED PER TABLE.

<small>THIS DRAWING IS UNPUBLISHED. RELEASED FOR PUBLICATION. BY TYCO ELECTRONICS CORPORATION, ALL INTERNATIONAL RIGHTS RESERVED.</small>		DWN: C.C. THOMAS 5-17-10 CHK: K. THACKSTON 5-17-10 APVD: K. THACKSTON 5-17-10	Tyco Electronics Harrisburg, PA 17105-3608
DIMENSIONS: INCHES[mm] 	TOLERANCES UNLESS OTHERWISE SPECIFIED: 9 PLC ±. 3 PLC ±. 5 PLC ±.005 (0.13) 4 PLC ±. ANGLES ±. FINISH: SEE TABLE	NAME: RECEPTACLE ASSY, SIZE 2, ARINC 600 (150/150/11Q2) PRODUCT SPEC: APPLICATION SPEC: WEIGHT: A100779C=2101947 CUSTOMER DRAWING	SCALE: 3:2 SHEET: 1 OF 1 REV: A