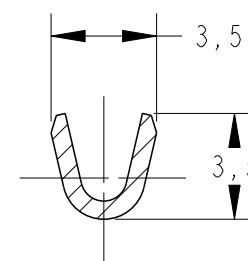
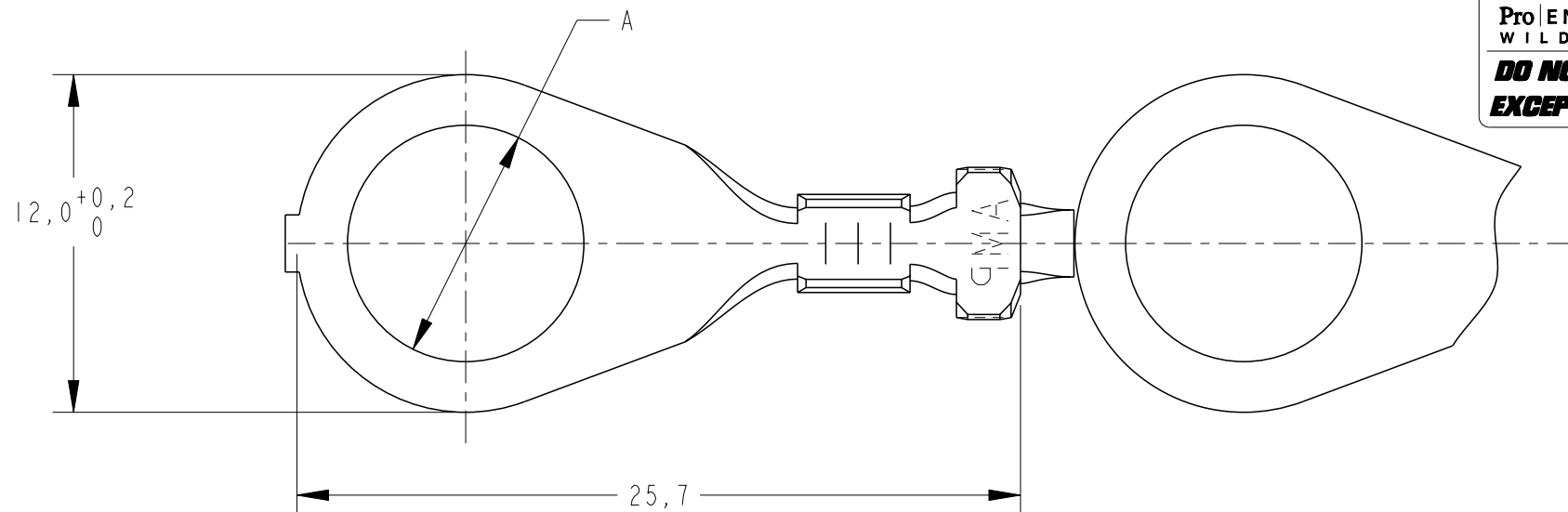
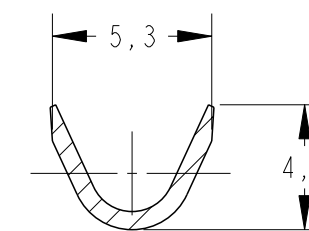


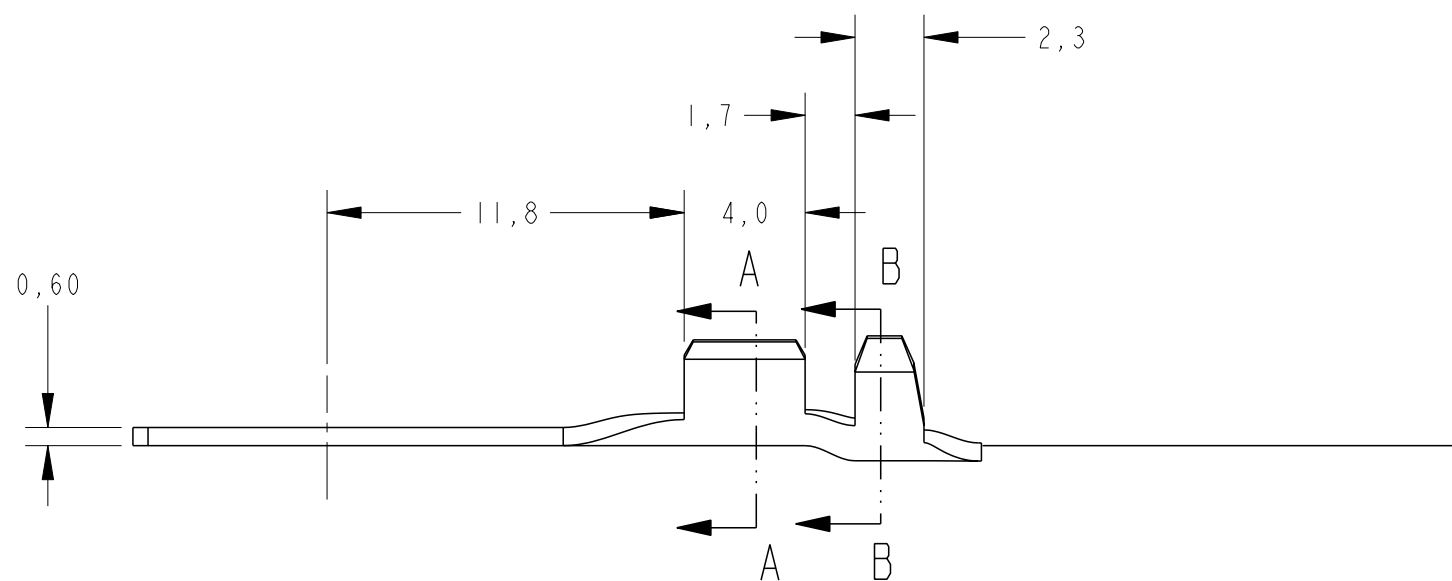
P	LTR	DESCRIPTION	DATE	DWN	APVD
	D2	REDRAW BY CAD ECO-12-010156	05JUN2012	MAS	GB



SECTION A-A

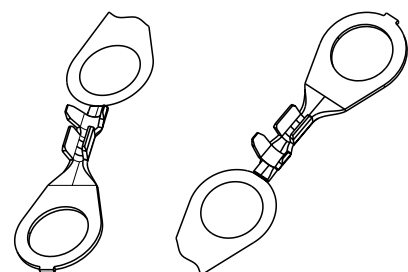


SECTION B-B



- △1 - CA 260
- △2 - OBSOLETE PARTS: OBSOLETE CIS STREAMLINING PER D.RENAUD / D.SINISI

6,5	ESTANHADO	LATÃO	626030-5
8,3	ESTANHADO	BRONZE FOSFOROSO	626416-4
8,3	----/----	BRONZE FOSFOROSO	626416-3
△2 6,5	ESTANHADO	BRONZE FOSFOROSO	626030-4
6,5	----/----	BRONZE FOSFOROSO	626030-3
8,3	ESTANHADO	LATÃO	626416-2
8,3	----/----	LATÃO	626416-1
6,5	ESTANHADO	LATÃO	626030-2
6,5	----/----	LATÃO	626030-1
∅A +0,2	FINISH	MATERIAL △1	PART NO

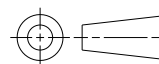


SCALE 1:1

WIRE RANGE 0,5-1,5 mm <sup>2</sup>	
INSUL / RANGE (∅mm) 1,78 - 3,05	
SURF AREA	----/----
APPL. FEED 27,69	TRIMMING BURR ----/----
WDW 7,36	IDW 9,65
REELING 107--	
SPLICE 115--	

THIS DRAWING IS A CONTROLLED DOCUMENT.

DIMENSIONS:  
mm



TOLERANCES UNLESS OTHERWISE SPECIFIED:

- 0 PLC ±-
- 1 PLC ±0,3
- 2 PLC ±-
- 3 PLC ±-
- 4 PLC ±-
- ANGLES ±1°
- FINISH

MATERIAL SEE TABLE

SEE TABLE

DWN 05JUN2012

M.A.SARTORI

CHK 05JUN2012

J.R.GOLDSCHMIDT

APVD 05JUN2012

G.BONUCCI

PRODUCT SPEC

-

APPLICATION SPEC

-

WEIGHT

-

CUSTOMER DRAWING / DESENHO DE CLIENTE

SCALE 4:1

SHEET 1 OF 1

REV D2



NAME RING TONGUE

-

-

SIZE A3

CAGE CODE 00779

DRAWING NO C-626030

RESTRICTED TO -